



Caratteristiche tecniche generali

- Tensione primaria 1000V max
- Tensione secondaria 1000V max
- Frequenza 50-60Hz
- Temperatura ambiente 45°C max
- Classe isolamento F
- Grado di protezione IPOO o IP23
- Impregnazione totale in resina termoindurente
- Tensione di prova di isolamento 3KV

General Specifications

- Primary voltage 1000V max
- Secondary Voltage 1000V max
- Frequency 50-60Hz
- Temperature 45 °C max
- Insulation class F
- Protection degree IPOO or IP23
- Total thermosetting resin impregnation
- Isolation test voltage 3KV

Realizzazioni particolari in base alle esigenze del cliente su richiesta
Special production, based on customer's needs on request

VERSION IPOO						VERSION IN BOX IP23				
Model	Power (VA)	Weight (Kg)	Indicative dimensions W x D x H			Model	Weight (Kg)	Indicative dimensions W x D x H		
TRT-03	0,3	7	180	90	165					
TRT-05	0,5	10	180	110	165					
TRT-06	0,6	10	180	110	165					
TRT-08	0,8	13	180	120	165	TRTC-08	43	350	200	350
TRT-1	1	16	240	120	215	TRTC-1	46	350	200	350
TRT-1.5	1,5	21	240	140	215	TRTC-1.5	51	350	200	350
TRT-2	2	26	300	160	215	TRTC-2	66	420	250	420
TRT-2.5	2,5	30	300	160	280	TRTC-2.5	70	420	250	420
TRT-3	3	33	300	160	280	TRTC-3	73	420	250	420
TRT-4	4	38	300	160	280	TRTC-4	78	420	250	420
TRT-5	5	45	300	180	280	TRTC-5	95	500	300	500
TRT-6	6	53	360	180	390	TRTC-6	103	500	300	500
TRT-8	8	66	360	190	390	TRTC-8	116	500	300	500
TRT-10	10	74	360	200	390	TRTC-10	134	500	300	580
TRT-12	12	86	360	210	390	TRTC-12	146	580	350	580
TRT-15	15	104	420	210	440	TRTC-15	164	580	350	580
TRT-18	18	110	420	210	440	TRTC-18	170	580	350	580
TRT-20	20	122	420	210	440	TRTC-20	182	580	350	580
TRT-25	25	148	480	250	490	TRTC-25	218	650	400	650
TRT-30	30	185	480	270	490	TRTC-30	255	650	400	650
TRT-40	40	225	480	290	490	TRTC-40	295	650	400	650
TRT-50	50	265	600	310	590	TRTC-50	355	800	500	800
TRT-70	70	340	600	330	590	TRTC-70	430	800	500	800
TRT-100	100	430	600	350	690	TRTC-100	520	800	500	800

Reference Standards CEI 96-1/CEI 96-4/EN 61558/CEI 14-8



SAE
ELECTRONIC
CONVERSION

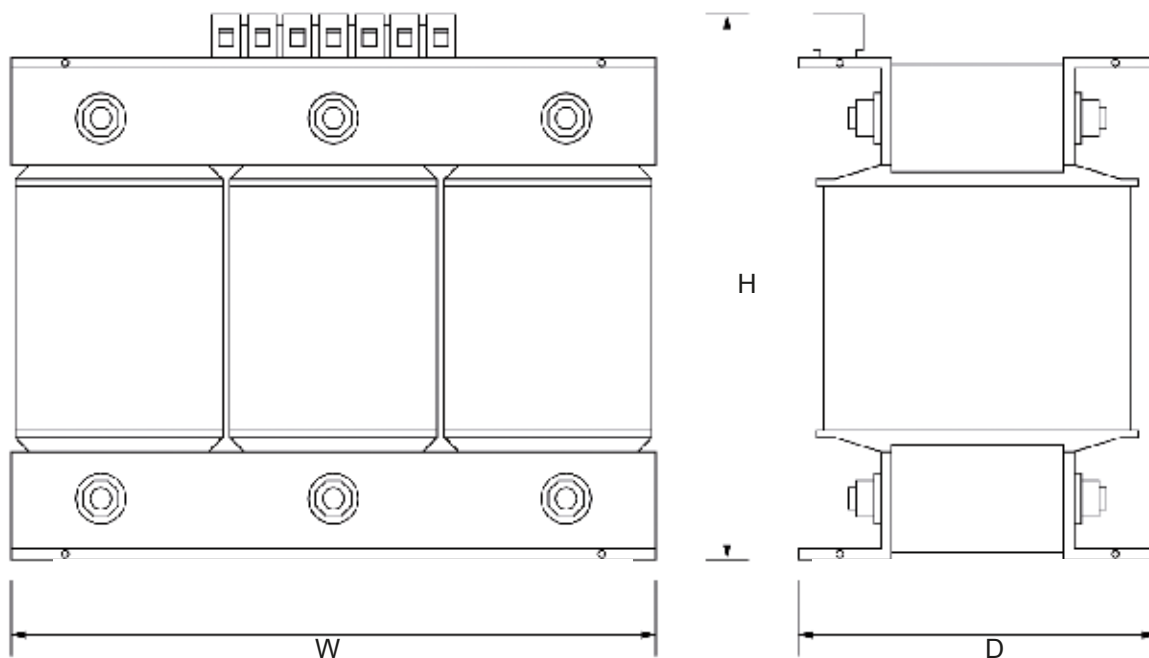


NTS
GROUP

Lungotorrente Secca, 12/R
tel.+39 010 7261834
info@saepowerelectronic.it

16163 Genova Bolzaneto (Italy)
fax +39 010 7261836
www.sae-elettronica.it

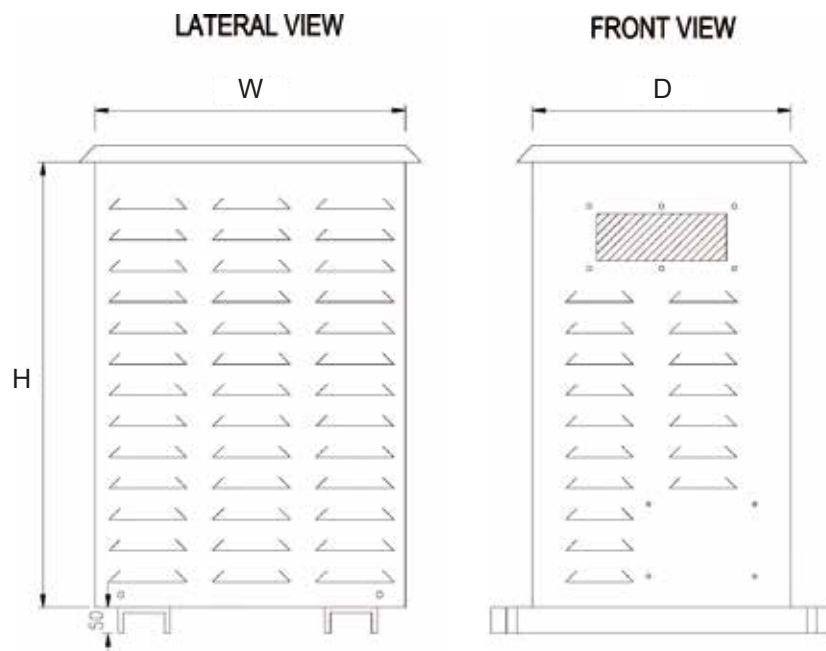
TECHNICAL DRAWINGS



Version IPO0



Cassa - Box



Version in box IP23

